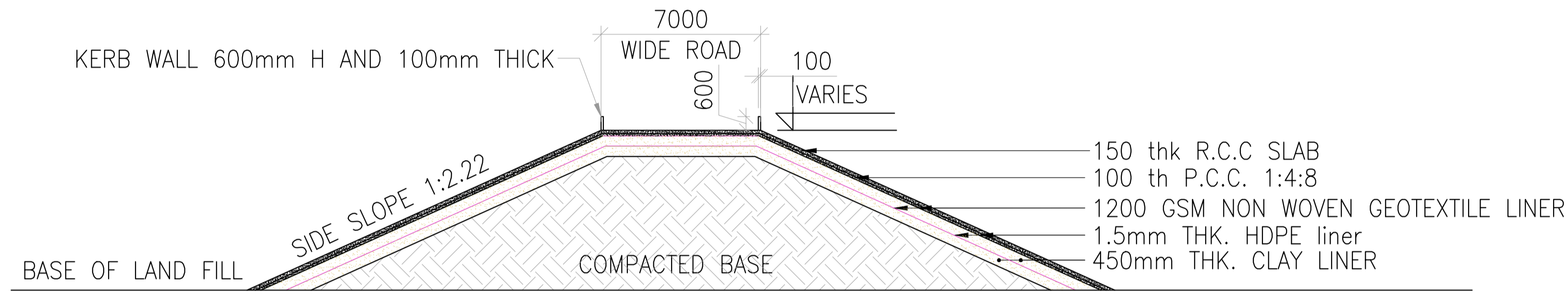
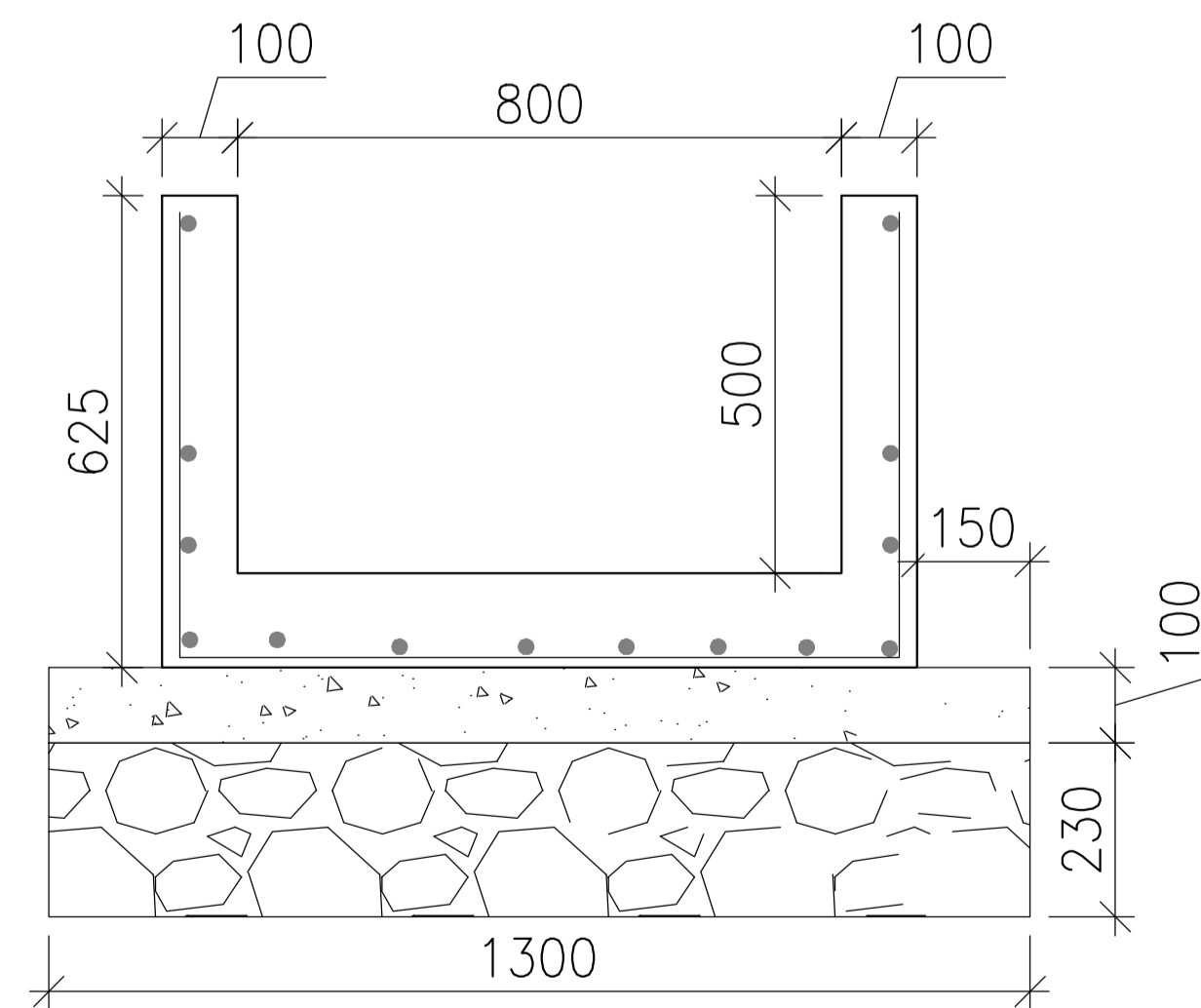


Longitudinal Section of Approach Ramp Section C-C



Cross Section of Approach Ramp Section D-D



DETAIL OF SWD

NOTES	
1.	ALL DIMENSIONS AND LEVELS ARE IN METERS.
2.	DRAWING IS IN SCALE OF 1:2.
3.	AMBIGUITIES IF NOTICED, SHALL BE IMMEDIATELY BROUGHT TO THE NOTICE OF THE ARCHITECT PRIOR TO COMMENCEMENT OF THE WORK.

REFERENCES			
1	11.06.22	TENDER DRAWING	
0	07.05.22	TENDER DRAWING	
REV.	DATE	REVISION	
SCALE: NTS			DATE : 07.05.2022

PROJECT CONSULTANT -
**ENVIRONMENT ENGINEERING LABORATORY,
 THE GUJARAT INSTITUTE OF CIVIL ENGINEERS
 AND ARCHITECTS, NIRMAN BHAVAN, OPP :
 BHAIKAKA HALL, LAWGARDEN, ELLIS BRIDGE,
 AHMEDABAD 380006**

CLIENT :
**VARNI ENVIRO CARE PVT. LTD.
 SURVEY NO. 283, VILLAGE: SURAI, TALUKA
 CHOTILA, DIST. - SURENDRANAGAR**

DRAWING TITLE:
**CROSS SECTION DETAILS OF APPROACH
 RAMP AND SWD FOR SECURED LANDFILL
 PHASE AND INCINERATION FACILITY FOR
 TREATMENT AND DISPOSAL OF HAZARDOUS
 SOLID WASTE**

DRAWING No.	REV.
VECPL/APPROACH RAMP & SWD-005	1