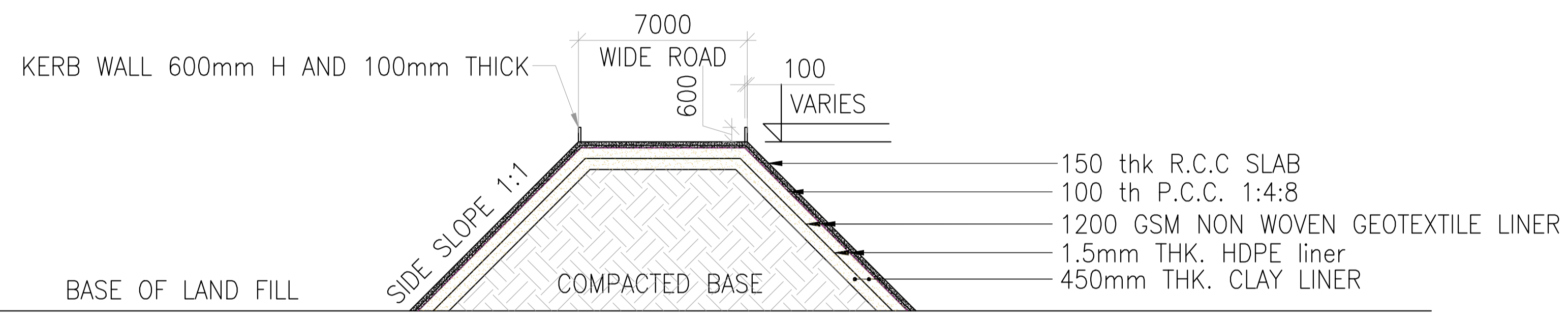
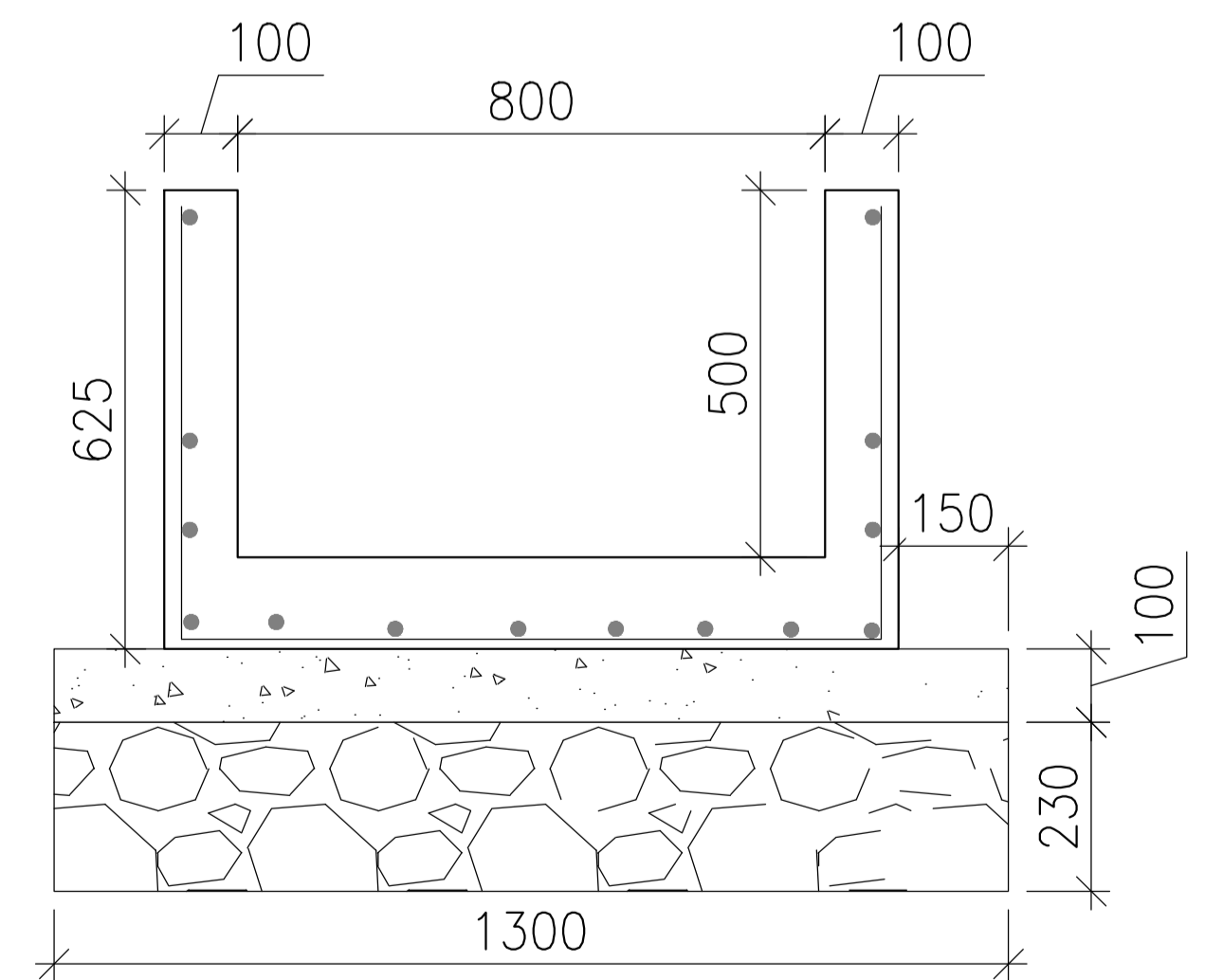


**Longitudinal Section of Approach Ramp**  
**Section C-C**



**Cross Section of Approach Ramp**  
**Section D-D**



**DETAIL OF SWD**

NOTES	
1.	ALL DIMENSIONS AND LEVELS ARE IN METERS.
2.	DRAWING IS IN SCALE OF 1:2.
3.	AMBIGUITIES IF NOTICED, SHALL BE IMMEDIATELY BROUGHT TO THE NOTICE OF THE ARCHITECT PRIOR TO COMMENCEMENT OF THE WORK.

REFERENCES		
2	14.06.22 TENDER DRAWING	
1	11.06.22 TENDER DRAWING	
0	07.05.22 TENDER DRAWING	
REV.	DATE	REVISION
SCALE: NTS		DATE : 07.05.2022

PROJECT CONSULTANT -  
**ENVIRONMENT ENGINEERING LABORATORY,  
 THE GUJARAT INSTITUTE OF CIVIL ENGINEERS  
 AND ARCHITECTS, NIRMAN BHAVAN, OPP :  
 BHAIKAKA HALL, LAWGARDEN, ELLIS BRIDGE,  
 AHMEDABAD 380006**

CLIENT :  
**VARNI ENVIRO CARE PVT. LTD.  
 SURVEY NO. 283, VILLAGE: SURAI, TALUKA  
 CHOTILA, DIST. - SURENDRANAGAR**

DRAWING TITLE:  
**CROSS SECTION DETAILS OF APPROACH  
 RAMP AND SWD FOR SECURED LANDFILL  
 PHASE AND INCINERATION FACILITY FOR  
 TREATMENT AND DISPOSAL OF HAZARDOUS  
 SOLID WASTE**

DRAWING No.	REV.
<b>VECPL/APPROACH RAMP &amp; SWD-005</b>	<b>2</b>